

Table 7 (cont.)

Cat. No.	Models MIRO	Cross-reference	Rated voltage (V)	Rated current (A)	Dimensions/sizes (mm)	Weight (g)
					Fig.	
0715	RGS39	RS3-750V	750	800~1500	See Figure 7.3	1730

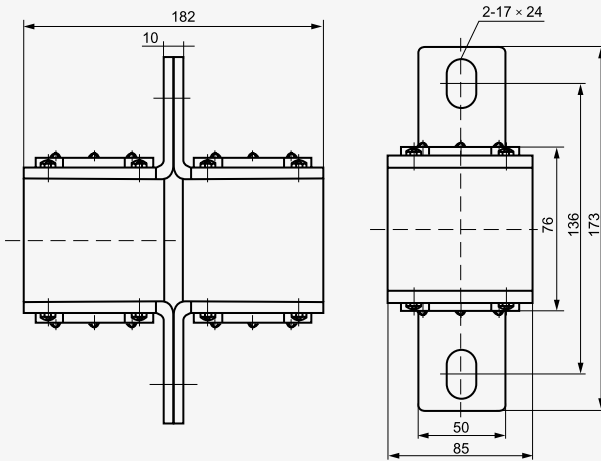


Figure 7.3



Table 7 (cont.)

Cat. No.	Models MIRO	Cross-reference	Rated voltage (V)	Rated current (A)	Fig.	Dimensions/sizes (mm)							Weight (g)
						A	B	C	D	E	F	ϕd	
0716	RS71B	LK-NES	800	50~200	7.4	76	104	135	43	22	6	10.5	370
0717	NGT1	RS6-1	380/690/1000	100~250	7.4	68	110	140	48	25	6	10.5	458
0718	NGT2	RS6-2	380/690/1000	200~400	7.4	68	110	140	58	32	6	10.5	654
0719	NGT3	RS6-3	380/690/1000	355~630	7.4	68	110	140	68	38	6	10.5	920

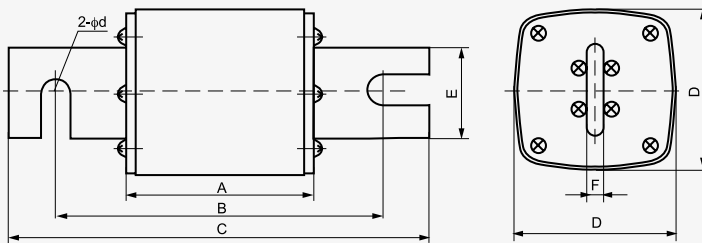


Figure 7.4



Low-Voltage Fuses
Fuse links

